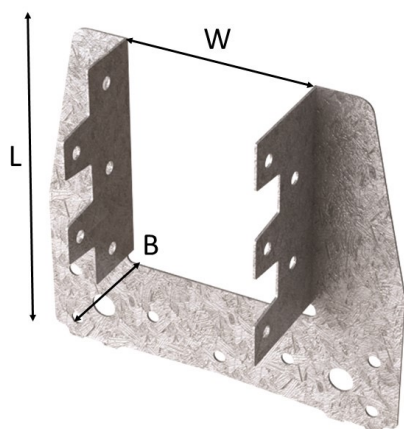


TC Truss Clip

Data sheet

Issue Date:
May 2026

The TC Truss Clip connector produced from galvanised steel to BS EN 10346 +G275 as standard or stainless steel to order. Truss Clips provide an inexpensive and effective method of fixing trussed rafters to wallplates. Manufactured from 0.9mm thick galvanised steel. Can also be used for general applications as a multi-purpose connector to provide restraint whenever two timber members cross.



Product

Features:

- Quick and easy to install

Fixings:

- Type A, 30 x 3.75mm Sherardised Square Twist Nails
- Type B, 35 x 3.75mm.

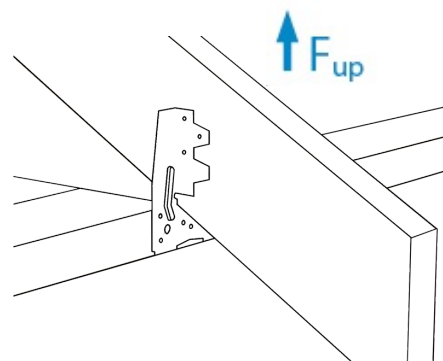
Approvals:

- CE Marked
- UKCA Marked

Packaging:

- Box Quantities of 100

Load Directions



Product Details						
Product code	Dimensions (mm)			Holes no. 4.0 Ø (mm)		Characteristic Capacity (kN)
	W	L	B	Plate 1	Plate 2	Uplift
TC/38	38	110	35	7	10	3.50
TC/44	44					3.75
TC/47	47					3.75
TC/50	50					3.75

Note: Refer to fixing data sheet for fixing information.

