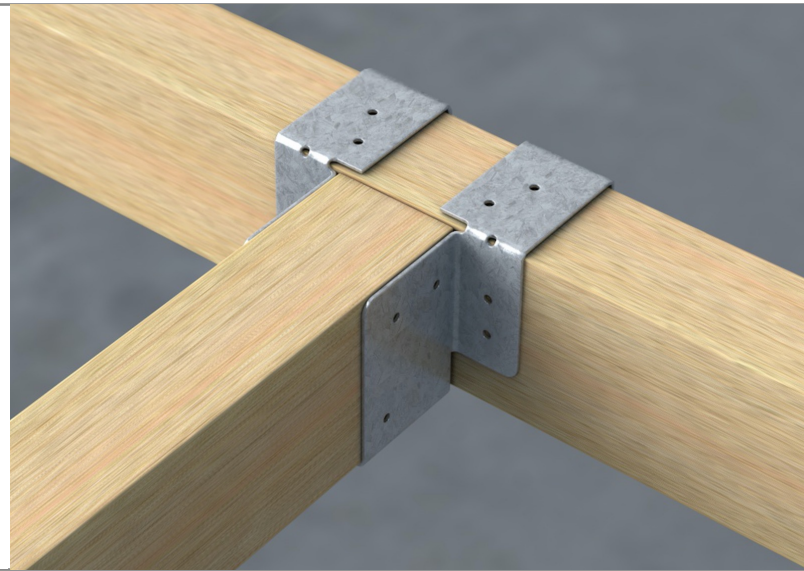
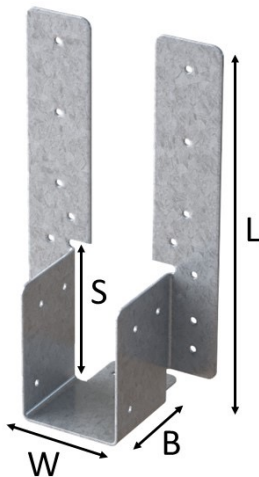


A190 Light Duty Hanger (Short Leg)

Data sheet

Issue Date:
May 2025

The A190 is a light duty 0.9 mm thick hanger designed for general fixings of timber to timber components, suitable for joist depth up to 175mm. Produced from galvanised steel to BS EN 10346 as standard, or stainless steel available to order. Galvanised hangers must be fixed using 30mm x 3.75mm sherardised square twisted nails in all pre-punched holes.



Product

Features:

- Quick and easy to install
- Thin profile no notching required
- Low side flange (S)

Fixings:

- 3.75 x 30mm sherardised square twist nail

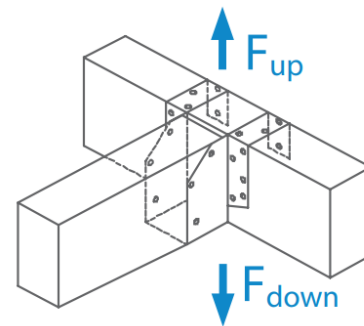
Approvals:

- CE Marked

Packaging:

- Box Quantities of 100

Load Directions



Product Details

Product code	Dimensions (mm)				Holes no. 4.0 Ø (mm)			Characteristic Capacity (kN)
	W	L	B	S	Leg	Side Flange	Bearing	C24 Timber
								F _{down}
A190/38	38	190	50	76	20	6	2	6.3
A190/44	44			73				4.6
A190/47	47			71				4.6
A190/50	50			70				5.0

