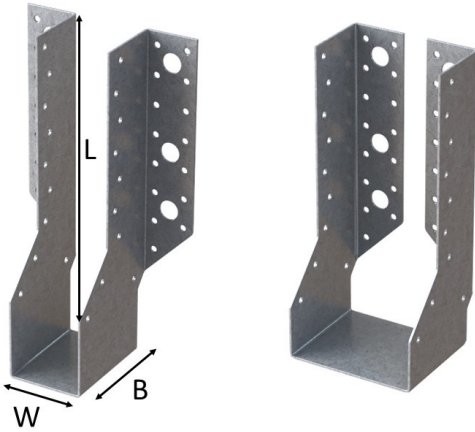


# MTH/500 & CF Multi-Truss Hanger

Data sheet

Issue Date:  
May 2026

The MTH range is a face fix hanger for use in heavy duty applications such as multiple truss units, main trimmer joists, purlin to beam connections or similar situations where unusually heavy loads occur. Manufactured from 1.5mm thick galvanised steel. Bolt hole to suit M12 fixing, nail holes 5mm diameter. Produced from galvanised steel to BS EN 10346 + G275 as standard. Stainless steel hangers are available to order. Bearing surface on all multi-truss hangers is 75mm.



\* Available at MTH/CF/500 with face plates folded inwards for concealed flange

## Product

Features:

- Heavy Duty
- M12 Bolt holes (Fixing specification by building designer)

Fixings:

- Type A, 30 x 3.75mm Sherardised Square Twist Nails
- Type B, 35 x 3.75mm.

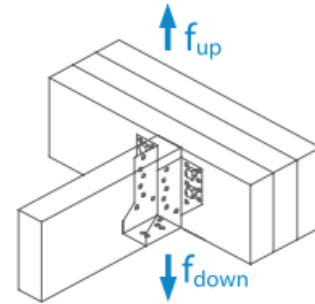
Approvals:

- CE Marked
- UKCA Marked

Packaging:

- Box Quantities of 25

## Load Directions



Product code	Dimensions (mm)			Holes no. 5.0 Ø (mm)			Characteristic Capacity (kN)											
							C16 Timber				C24 Timber				TR26 Timber			
	W	L	B	Face Flange	Side Flange	Type A Nails		Type B Nails		Type A Nails		Type B Nails		Type A Nails		Type B Nails		
						F <sub>up</sub>	F <sub>down</sub>	F <sub>up</sub>	F <sub>down</sub>	F <sub>up</sub>	F <sub>down</sub>	F <sub>up</sub>	F <sub>down</sub>	F <sub>up</sub>	F <sub>down</sub>	F <sub>up</sub>	F <sub>down</sub>	
MTH/500/38	38	231				11.09		11.65	21.73	12.52	23.12	13.15	23.99	13.24	24.26	13.91	25.01	
MTH/500/44	44	228				12.29		13.49	23.78	13.87	23.12	15.23	26.29	14.66	24.44	16.10	27.45	
MTH/500/47	47	226				12.29		14.41	24.07	13.87	23.12	16.27	27.17	14.66	24.44	17.20	28.67	
MTH/500/50	50	225				12.29		14.44	24.07	13.87	23.12	16.30	27.17	14.66	24.44	17.24	28.71	
MTH/500/63	63	218				12.29		14.44	24.07	13.87	23.12	16.30	27.17	14.66	24.44	17.24	28.71	
MTH/500/75	75	212	75	30	6x13.0Ø	12.29	20.48	14.44	24.07	13.87	23.12	16.30	27.17	14.66	24.44	17.24	28.71	
MTH/500/88	88	206				12.29		14.44	24.07	13.87	23.12	16.30	27.17	14.66	24.44	17.24	28.71	
MTH/500/91	91	204				12.29		14.44	24.07	13.87	23.12	16.30	27.17	14.66	24.44	17.24	28.71	
MTH/500/100*	100	200				12.29		14.44	24.07	13.87	23.12	16.30	27.17	14.66	24.44	17.24	28.71	
MTH/500/125*	125	187				12.29		14.44	24.07	13.87	23.12	16.30	27.17	14.66	24.44	17.24	28.71	
MTH/500/150*	150	175				10.92		12.84	24.07	12.33	23.12	14.49	27.17	13.03	24.44	15.32	28.71	

Note: Refer to fixing data sheet for fixing information.

