

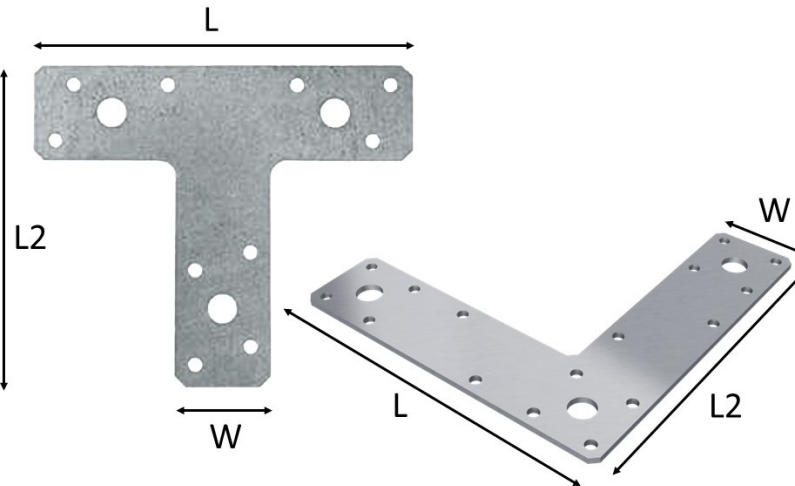
T150 & L150 Brackets

Data sheet

Issue Date:
May 2026

T150 & L150 Brackets

The T150 and L150 brackets are produced from galvanised steel to BS EN 10346 + G275 as standard, or stainless steel grade 304 to BS EN 10088-2 Grade 1.4301, available to order. Galvanised brackets used for connecting timbers to make a 'T' or 'L' shaped joint. Available from stock in the following sizes, additional sizing options are available to order. Thickness 2mm.



Product

T150 & L150

Features:

- General DIY non-structural

Packaging:

- Box Quantities see table

Product Details				
Product code	Dimensions (mm)			Box Quantity
	L	L2	W	
T150/10PK	150	128	38	50
L150/10PK	150	150	38	50